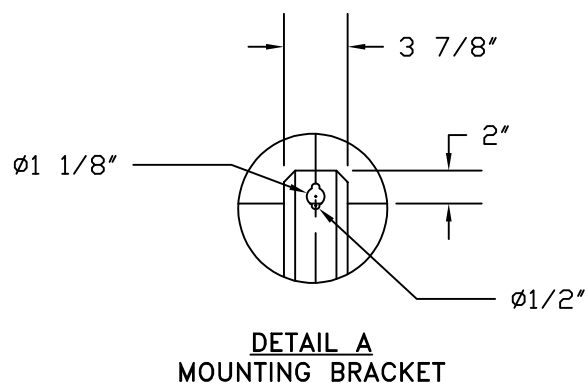
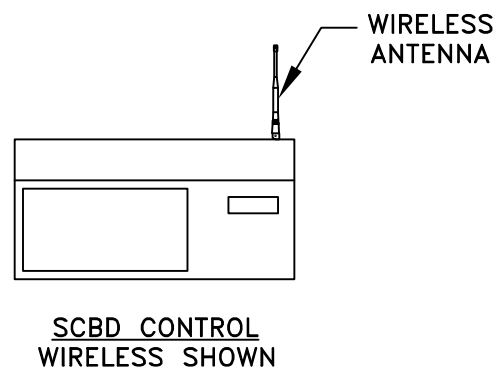
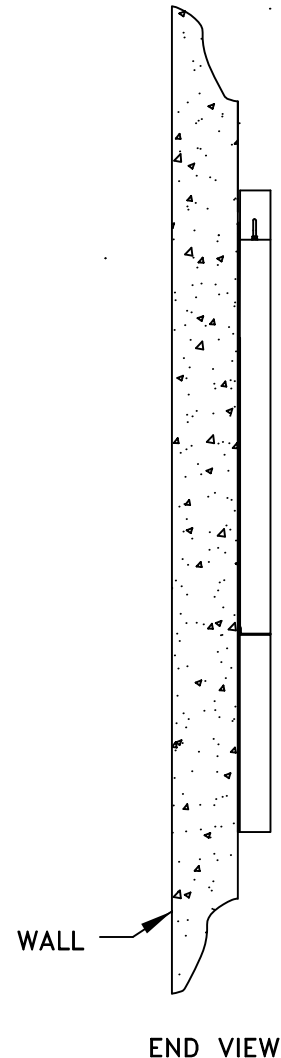
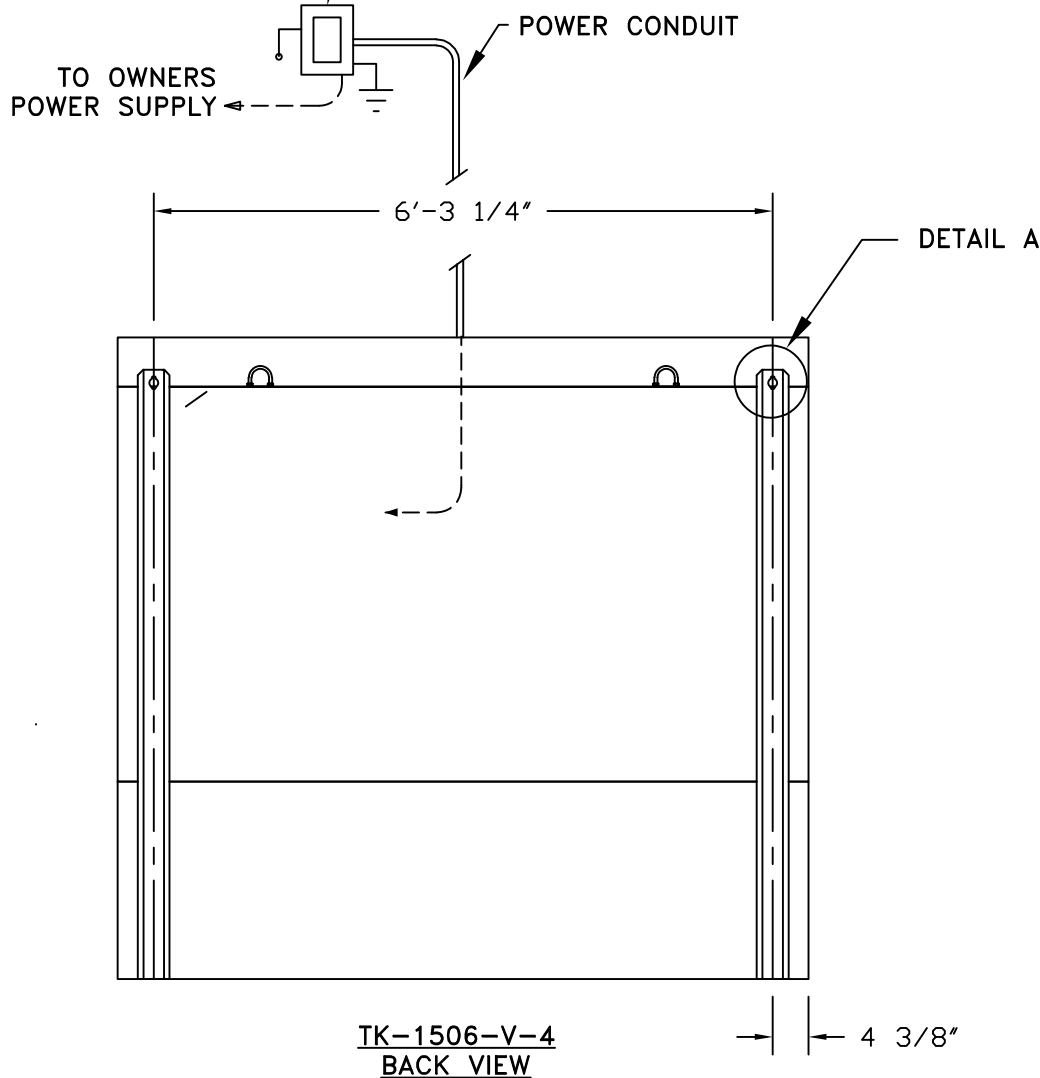


THE INSTALLED LOCATION OF THE OWNER'S FUSED DISCONNECT SWITCH IS AT INSTALLERS DISCRETION AND MUST COMPLY WITH SECTION 600.6(A) OF THE NATIONAL ELECTRICAL CODE.



NOTES:
POWER WIRES SHOULD BE ROUTED IN SEPARATE CONDUIT FROM CONTROL CABLE. SUGGEST 1/2" CONDUIT FOR CONTROL.

ATTACHMENT TO WALL- USE 3/8" TOGGLE BOLT WITH WASHER FOR TILE WALL, OR 3/8" EXPANSION BOLT WITH WASHER FOR MASONRY WALL.

FAIR-PLAY ASSUMES NO RESPONSIBILITIES FOR INSTALLATIONS DONE BY OTHERS.

* REFERENCE 01-0500-01 FOR INSTALLATION NOTES.

CUSTOMER APPROVAL:		MY SIGNATURE BELOW SIGNIFIES MY APPROVAL TO PROCEED WITH THE DESIGN WORK SPECIFIED HEREIN AND ACKNOWLEDGEMENT THAT I HAVE RECEIVED AND READ THE INSTALLATION SPECIFICATIONS CONTAINED IN FAIR-PLAY DOCUMENT NO. 01-0500-01. CONSULT YOUR FAIR-PLAY SALES ASSOCIATE IF YOU SHOULD HAVE ANY QUESTIONS OR REQUIRE ANY CHANGES TO THIS DOCUMENT.	
PROJECT:	SIGNATURE:	DATE:	
REFERENCE #:	PRINT NAME:		

FAIR-PLAY	THIS DOCUMENT CONTAINS FAIR-PLAY PROPRIETARY INFORMATION. ANY DISCLOSURE, USE OR DUPLICATION OF THE DOCUMENT OR OF ANY INFORMATION CONTAINED THEREIN FOR OTHER THAN THE SPECIFIC PURPOSE FOR WHICH IT WAS DISCLOSED IS EXPRESSLY PROHIBITED, EXCEPT AS MAY BE OTHERWISE AGREED TO IN WRITING. COPYRIGHT 2022.		
	TITLE	DRAWN BY	MODEL
	INSTALLATION FOR TK-1506-V-4	BEW	B TK-1506-V-4
		DATE 08-13-24	DWG. NO.
	SCALE 1/2"=1'-0"	01-1506-04-2	

OR	ORIGINAL RELEASE	08-13-24	BEW
REV.#	CHANGE	DATE	BY

6110 AVIATOR DRIVE
HAZELWOOD, MO 63042